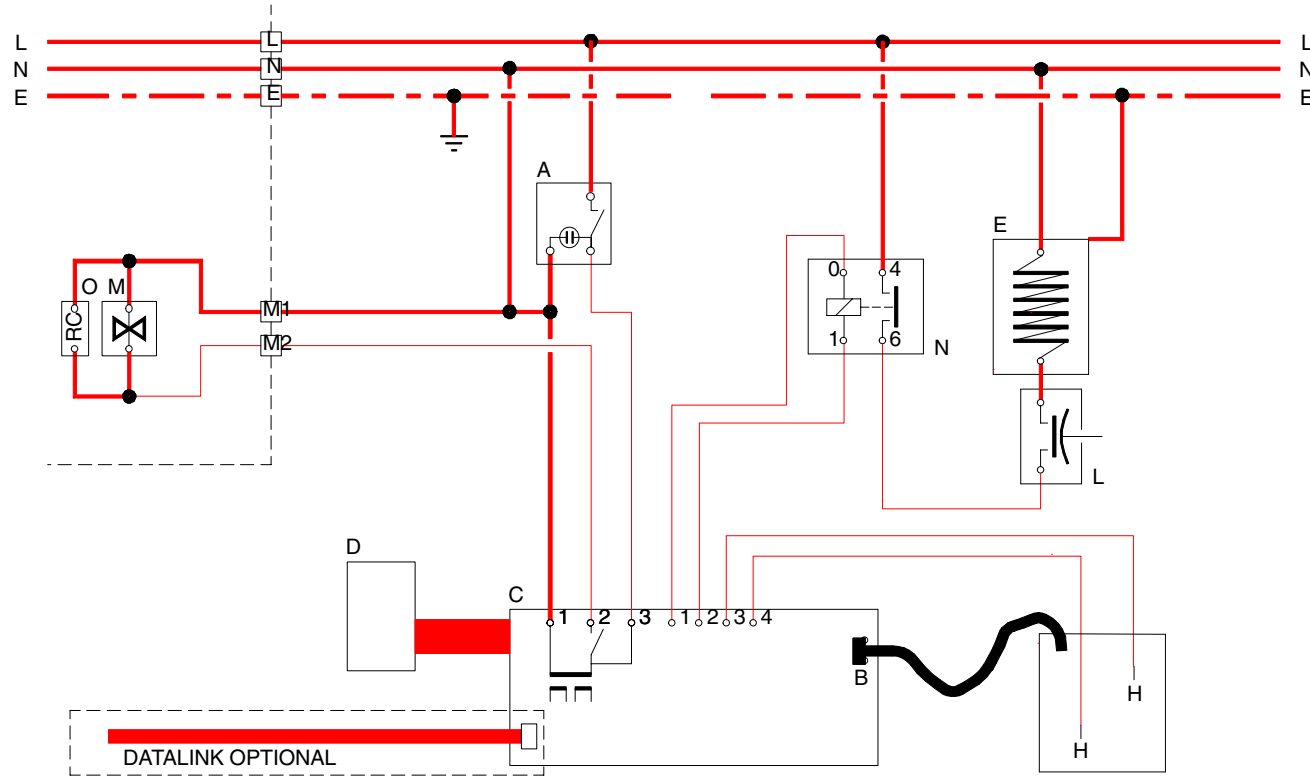


## RLX module 4/8 (GB/IRL)



**700.406.611A**

- A. Switch
- B. Compression switch
- C. Print
- D. Keyboard
- E. Element
- H. Electrode
- L. High temperature safety
- M. Magnetic valve
- O. RC